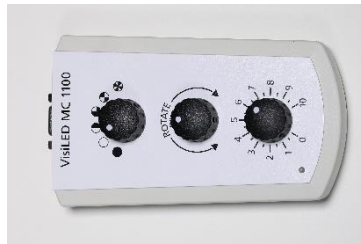


Controllers and Power Supply for VisiLED MC Series



MC 750
Basic functions



MC 1100
Compact and ergonomic



MC 1500
Multifunction center



CEE 7/7 plug



NEMA 5-15 plug



BS 1363 plug



SEV1011 plug

	MC 750	MC 1100	MC 1500
Dimensions	73.5 mm x 110 mm x 40 mm (2.9" x 4.3" x 1.58")	90 mm x 152 mm x 25 mm (3.54" x 5.98" x 0.98")	153 mm x 110 mm x 40 mm (6" x 4.3" x 1.58")
Connectors on backside	<ul style="list-style-type: none"> • 21 – 24 V DC Connector • 1 Lighthead Connector 	<ul style="list-style-type: none"> • 21 – 24 V DC Connector • 1 Lighthead Connector • ESD plug 	<ul style="list-style-type: none"> • 21 – 24 V DC Connector • RS232 Interface • 2 Lighthead Connectors • 1 Footswitch • 1 Flash
Features	<ul style="list-style-type: none"> • Continuous dimming via potentiometer 	<ul style="list-style-type: none"> • Easy to use. • 5 present segment modes. • Rotation to both directions. • Continuous dimming via potentiometer. 	<ul style="list-style-type: none"> • 5 preset segment modes plus rotation for optimum contrasting. • Smooth dimming with overdrive position. • 4 memory positions to save custom lighting modes. • External Trigger: to start single strobe. • Flash mode: to overdrive continuous set intensity with a short flash for taking photographs. • Strobe mode: to utilize internal strobe function with frequencies between 15 Hz – 5 KHz. • RS 232 Computer interface (USB 1.1 optional) to set parameters via computer. • Foot switch between memory positions (optional).

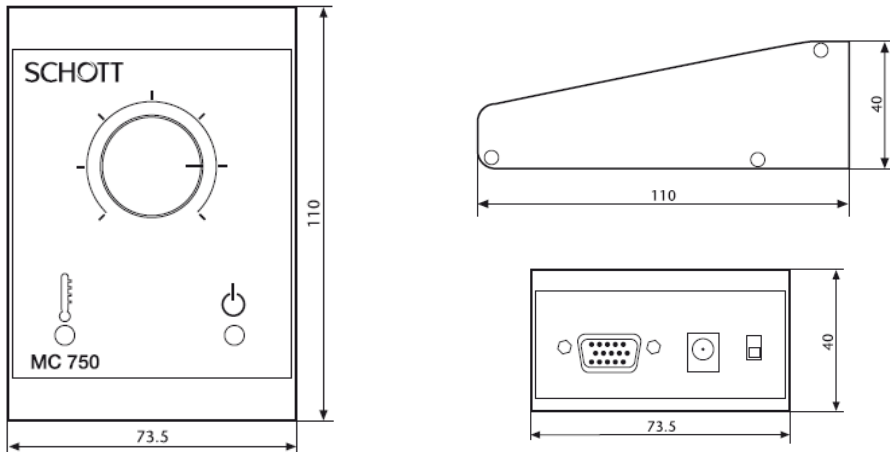
Power Supplies	Part. No.
Input 100–240V AC, 50/60 Hz; Output 21V DC/1,92A, UL certification and CE marking	400.050
Power Cord IEC-C13 to CEE 7/7 (European Plug), 1.8 m	400.051
Power Cord IEC-C13 to NEMA 5-15 (US Plug), 1.8 m	400.052
Power Cord IEC-C13 to BS 1363 (UK Plug), 1.8 m	400.053
Power Cord IEC-C13 to SEV1011 (Swiss Plug), 1.8 m	400.054

Controller Model	Part. No.
MC 750	400.010
MC 1100	400.080
MC 1500	400.000

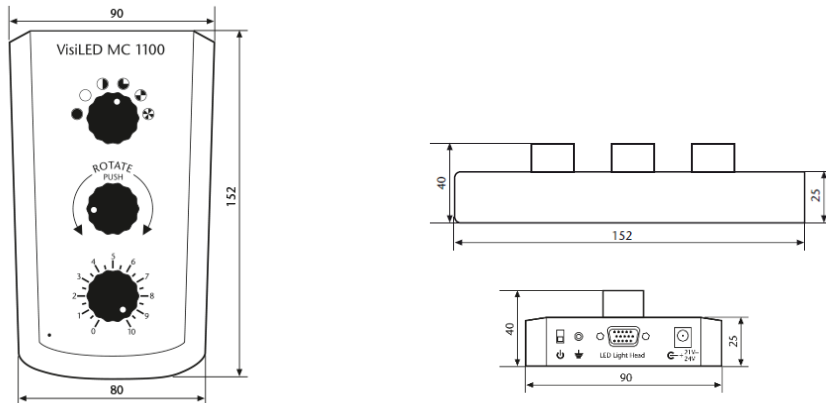
Version 08.2019



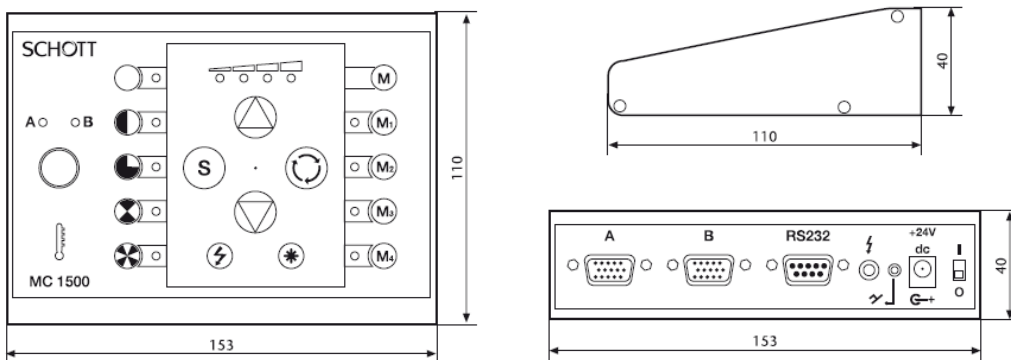
Controllers and Power Supply for VisiLED MC Series



VisiLED Controller MC 750



VisiLED Controller MC 1100



VisiLED Controller MC 1500

All specifications are subject to change without prior notice. This datasheet or any extracts thereof may only be used in other publications with express permission of SCHOTT. © SCHOTT AG

SCHOTT
Authorised Distributor
 Silicon Connection Pte Ltd
 Blk 7 Kallang Place
 #05-01/05/07/11/12
 Singapore 339153
 Phone: +65 81861235
 steven@si-cnx.com
www.si-cnx.com/products/lighting-imaging/

