

Diffusing Ringlight



Diffusing Ringlight 66 mm

Features

- Continuous wide ring of a white acrylic diffuser plate within the housing.
- Mounts directly to 66 mm objective by means of thumb screw.
- Housing made of rugged, black anodized aluminum.
- Fiber bundle protected with flexible metal PVC sheathing.

Benefit

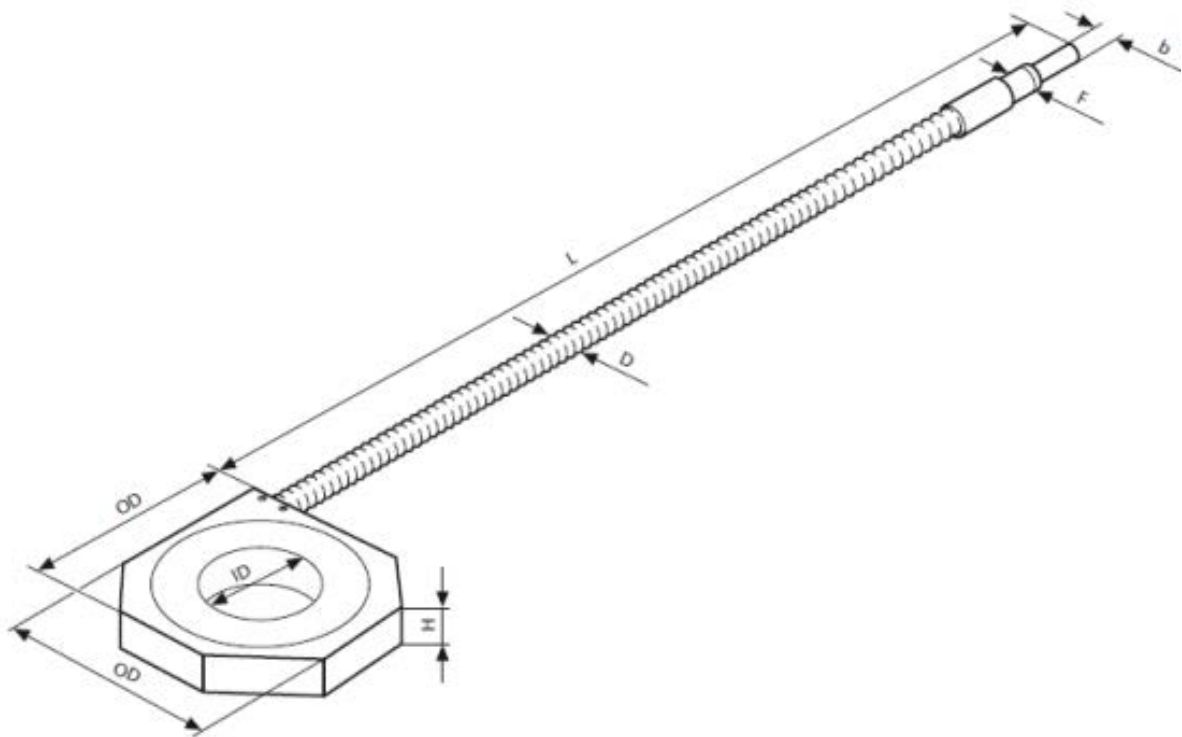
- Shadow-free illumination of polished or high reflective surfaces.

Cold light source**	Part No.	Type	Length	Inner Ø	Outer Ø	Height	Minimum working distance*	Active Ø branch	Outer Ø Jacketing	Light source adapter Ø
			(L)	(ID)	(OD)	(H)	(A)	(b)	(D)	
KL 1500 HAL KL 1600 LED KL 2500 LED KL 2500 LCD	500 200	66 mm Ø	1000 mm 39.37"	66 mm 2.64"	137 mm 5.48"	32 mm 1.28"	30 mm	9 mm 0.36"	15 mm 0.60"	10 mm 0.39"

* Ringlight usable in any working distance above given minimum values.

** and discontinued KL 1500 products (KL 1500 compact, KL 1500 LCD, KL 1500 LED, KL 1500 LED Plus)

Diffusing Ringlight



All specifications are subject to change without prior notice. This datasheet or any extracts thereof may only be used in other publications with express permission of SCHOTT. © SCHOTT AG

SCHOTT
Authorised Distributor
Silicon Connection Pte Ltd
Blk 7 Kallang Place
#05-01/05/07/11/12
Singapore 339153
Phone: +65 81861235
steven@si-cnx.com
www.si-cnx.com/products/lighting-imaging/

SCHOTT
glass made of ideas