

# Lightlines



Lightline 50 x 1.2 mm



Lightline 300 x 0.3 mm,  
KL 2500 LCD only

## Features

- Lightlines are Spot to line converters.
- Adjustable cylindrical lens to reduce the illumination angle up to 3 degrees.
- Housing made of rugged, black anodized aluminum.
- Fiber bundle protected with flexible metal PVC sheathing.

## Benefits

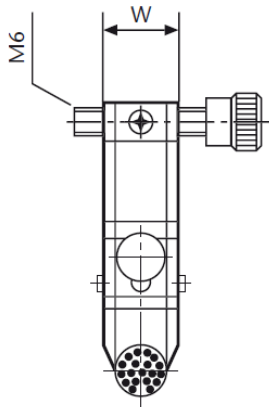
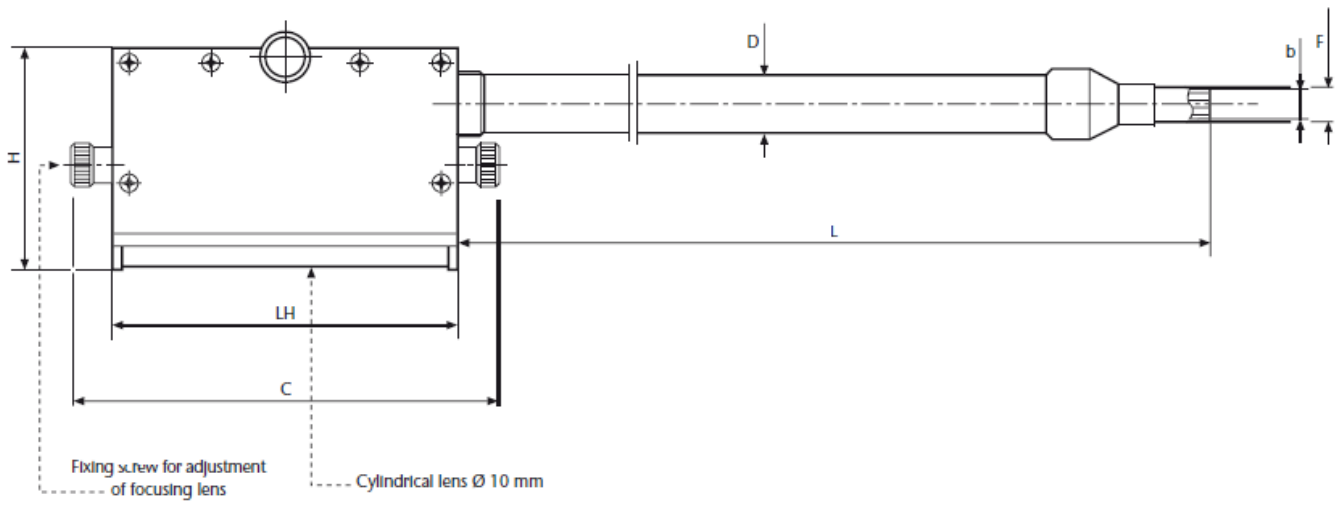
- Illumination for objectives with flat structures, i.e. imprint on checks.
- Creates uniform line illumination.
- High intense illumination for examination of
- footprints.

Cold light source	Part. No.	Line Dimensions	Height of housing	Length of housing	Overall length of housing	Width of housing	Length	Outer Ø Jacketing	Active Ø branch	Light source adapter Ø
			(H)	(LH)	(C)	(W)				
KL 1500 HAL KL 1600 LED KL 2500 LED KL 2500 LCD **	160 100	50 x 1.2 mm 1.97 x 0.05"	63 mm 2.48"	66 mm 2.60"	~ 94 mm ~ 3.70"	18 mm 0.71"	1000 mm 39.37"	15 mm 0.59"	8,9 mm 0.35"	10 mm 0.39"
	160 110	100 x 0.6 mm 3.94 x 0.02"	63 mm 2.48"	116 mm 4.57"	~ 144 mm ~ 5.67"	18 mm 0.71"	1000 mm 39.37"	15 mm 0.59"	8,9 mm 0.35"	10 mm 0.39"
	160 120	200 x 0.3 mm 7.87 x 0.02"	101 mm 3.98"	216 mm 8.50"	~ 244 mm ~ 9.61"	18 mm 0.71"	1000 mm 39.37"	15 mm 0.59"	8,9 mm 0.35"	10 mm 0.39"
KL 2500 LCD only	260 130	300 x 0.3 mm 11.81 x 0.01"	101 mm 3.98"	316 mm 12.44"	~ 344 mm ~ 13.54"	18 mm 0.71"	1000 mm 39.37"	17 mm 0.67"	10,8 mm 0.43"	17 mm 0.67"
	260 135	300 x 0.3 mm 11.81 x 0.01"	101 mm 3.98"	316 mm 12.44"	~ 344 mm ~ 13.54"	18 mm 0.71"	1500 mm 59.06"	17 mm 0.67"	10,8 mm 0.43"	17 mm 0.67"

\*\* and discontinued KL 1500 products (KL 1500 compact, KL 1500 LCD, KL 1500 LED, KL 1500 LED Plus)



# Lightlines



All specifications are subject to change without prior notice. This datasheet or any extracts thereof may only be used in other publications with express permission of SCHOTT. © SCHOTT AG

**SCHOTT**  
**Authorised Distributor**  
 Silicon Connection Pte Ltd  
 Blk 7 Kallang Place  
 #05-01/05/07/11/12  
 Singapore 339153  
 Phone: +65 81861235  
 steven@si-cnx.com  
[www.si-cnx.com/products/lighting-imaging/](http://www.si-cnx.com/products/lighting-imaging/)

**SCHOTT**  
 glass made of ideas