

EasyLED Ringlights

Ergonomic and compact illumination system for stereo microscopy and macroscopy



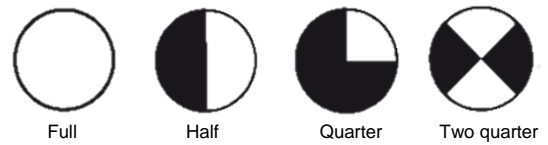
Ringlight



Ringlight Plus

Features

- No separate controller box
- Ringlight Plus version available with basic segment features and segment rotation. Easy and intuitive operation via integrated "jog dial" wheel.
- Ergonomic operating (not necessary to remove eyes from the eyepieces).
- Continuous dimming from 0 to 100%.
- Wide input range power supply (100 - 240 V).
- World wide plug (clip system).

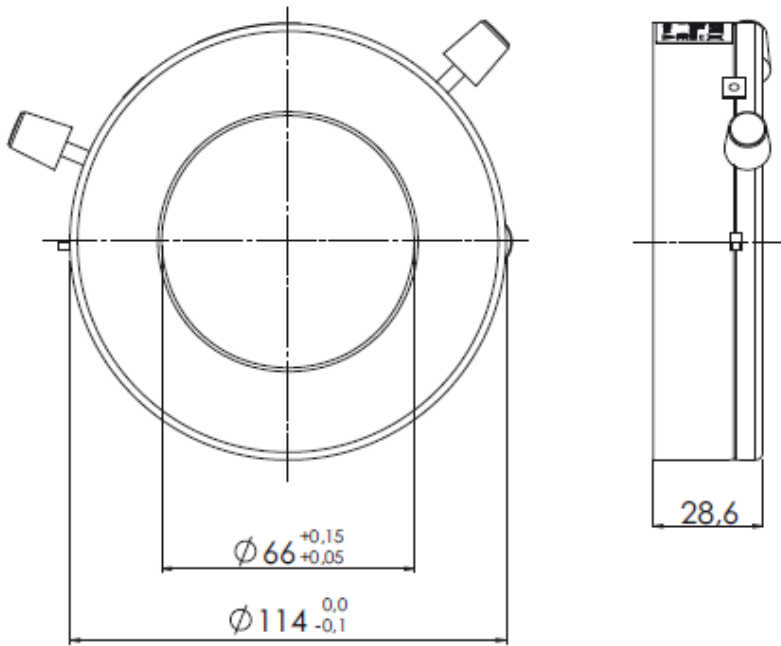


Basic segment features of Ringlight Plus

Ringlights					
	Part. No.	Free working distance (FWD)	Max. illuminance	Adaption Ø	Power supply
Ringlight System	600 200	55 - 135 mm (2.17" - 5.31")	90 klx (at 75 mm FWD)	66 mm (2.60")	12 V, DC
Ringlight Plus System	600 300	50 - 130 mm (1.97" - 5.12")	140 klx (at 65 mm FWD)	66 mm (2.60")	12 V, DC

Objective Adaptors for Ringlights	
Ø 58 mm to Ø 66 mm	157 450
Ø 60 mm to Ø 66 mm	157 452

EasyLED Ringlights



EasyLED Ringlight/Ringlight Plus

All specifications are subject to change without prior notice. This datasheet or any extracts thereof may only be used in other publications with express permission of SCHOTT. © SCHOTT AG

SCHOTT
Authorised Distributor
Silicon Connection Pte Ltd
Blk 7 Kallang Place
#05-01/05/07/11/12
Singapore 339153
Phone: +65 81861235
steven@si-cnx.com
www.si-cnx.com/products/lighting-imaging/

SCHOTT
glass made of ideas