

MegaLight 100V / MegaLight 200V

100W Halogen Fiber Optic Light Source



MegaLight 100V / 200V is the successor model for MegaLight 100, 100W halogen light source for industrial and stereo microscopy applications.

Full compatibility with your existing MegaLight100. Please choose either model according to input AC voltage.

Specification		
Model	MegaLight 100V	MegaLight 200V
Operating voltage	AC100~120V 50/60Hz	AC200~240V 50/60Hz
Lamp type	Dichroic mirror halogen lamp 100W JCR12V100W10H	
Average lamp service time	1000 hours	
Illuminance	650,000 lx ※1	
Power consumption	150W (350VA)	
Remote control function ※2	<ul style="list-style-type: none"> Dimming of light intensity by analog voltage (DC0 ~5V) , or external controller. Lamp ON/OFF control Detection of failed lamp 8bit digital control (optional parts necessary) Mechanical shutter (optional parts necessary) 	
Color filters	Color filters (option) is easy to install on the unit.	
Dimensions	120H × 76W × 235D (mm)	
Color temperature	3,100K ※3	
Weigh	Approx. 1.5kg	
Certifications	CE, UL, PSE	

※1 Reference data at the output of SCHOTT FGS6F1000 (6mmφ active, length 1000mm)

※2 Cable and controller for remote control are not available

※3 Reference data at maximum light intensity.

Features:

- Small foot print
- Plastic case
- Remote controllable
- Long life time halogen 100W lamp
- 8 bit digital dimming board (option)
- Mechanical shutter (option)
- Color filters (option)

Options:



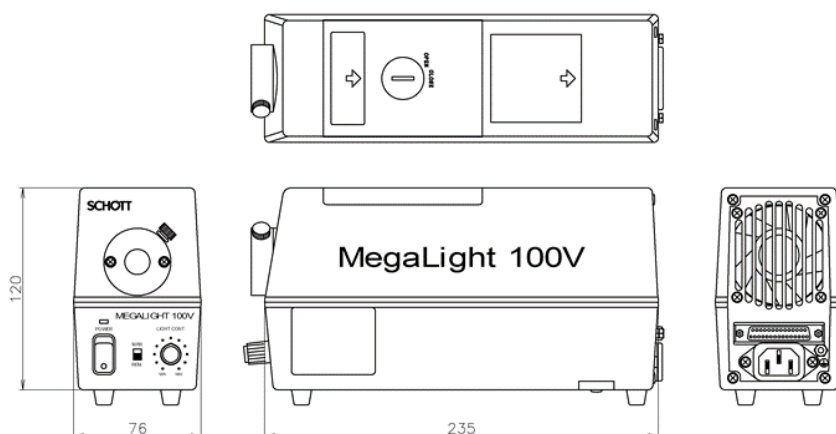
8 bit dimming control board, MLO-8C

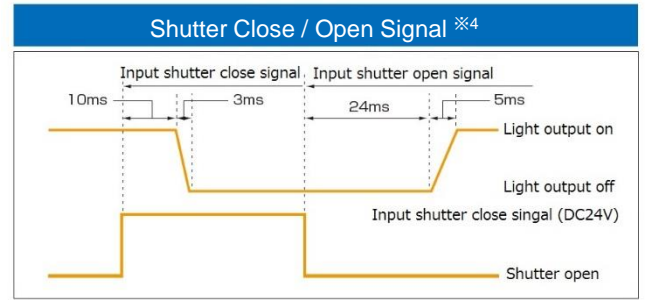
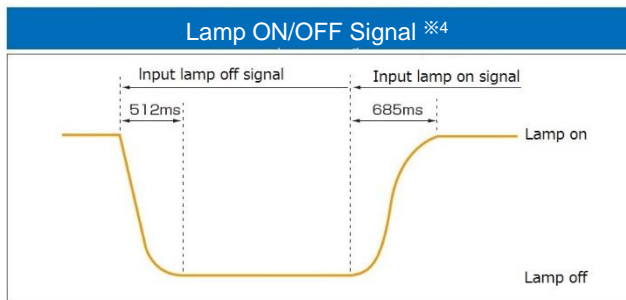
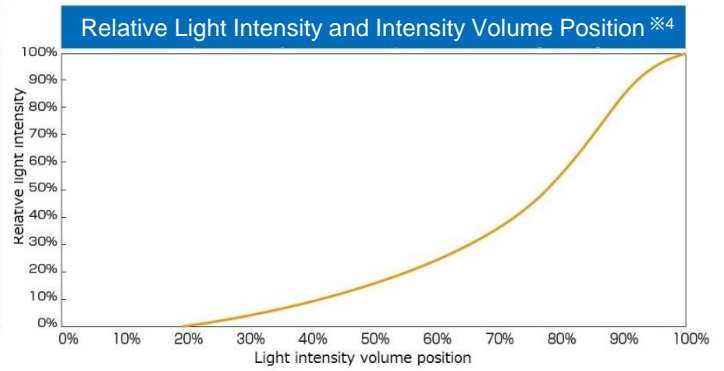
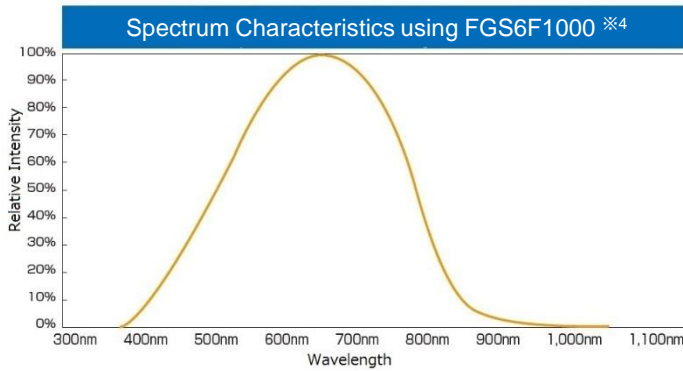


Mechanical shutter, MLO-SH



Color filter, HLF30.5SH-XXX

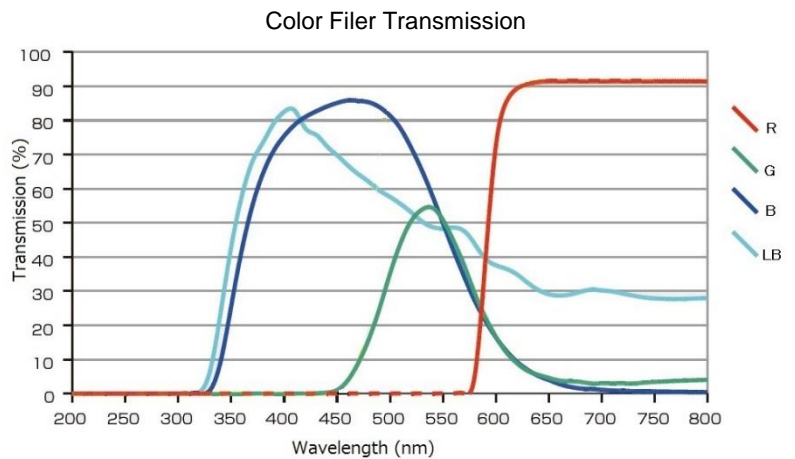




※4 All data above is typical value. Not guaranteed.

Insert Color Filter

Easy to install inside of the light source.



Focus Lens

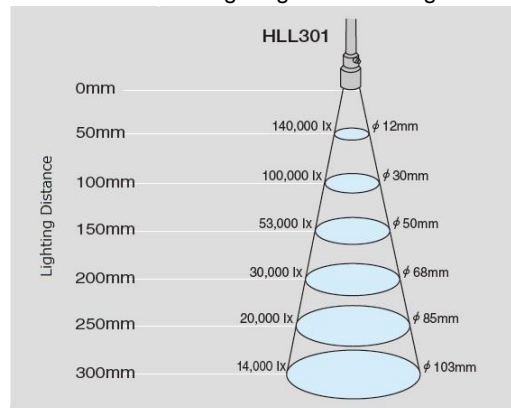
Focus lens for spot type light guide is available.



HLL301

Lighting distance*1	50~∞
Lighting area *1	φ 12~∞
Brightness *2	140000 lx
Dimension	φ 19×L39
Applicable light guide	FGS/FGB

Reference data : Lighting area and brightness.



*1 The distance and area which the edge of spot can be brought into focus (unit:mm)

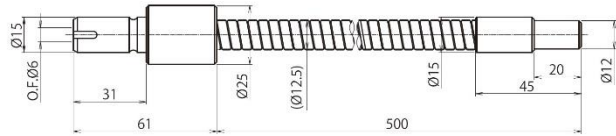
*2 The value is example at 50mm distance from FGS6F1000 output.



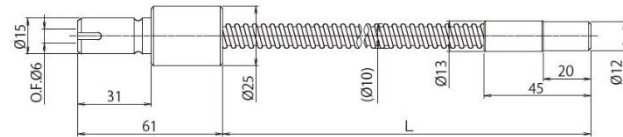
Optical Fiber Light Guide

SCHOTT offers high quality glass fiber light guides based on through process from material production to assembling technics.

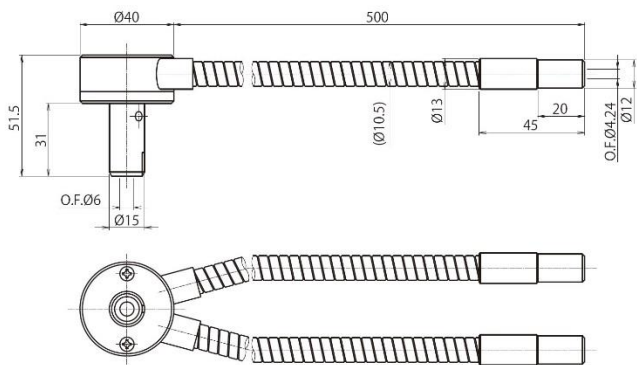
Spot Type



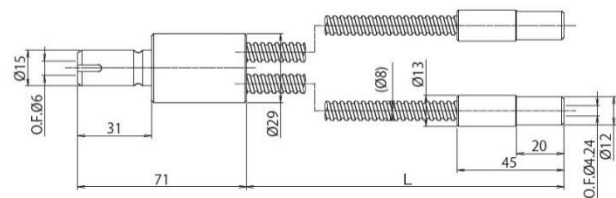
FGS6S500 Flex & Stay



FGS6F1000 (1m)
FGS6F1500 (1.5m)
FGS6F2000 (2m) Flexible



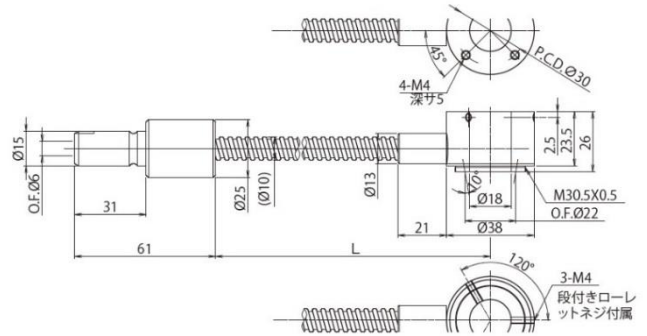
LFGB6S500 Flex and Stay



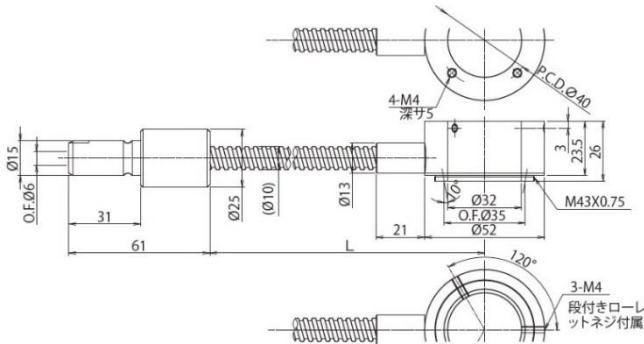
FGB6F1000R (1m)
FGB6F1500R (1.5m)
FGB6F2000R (2m) Flexible



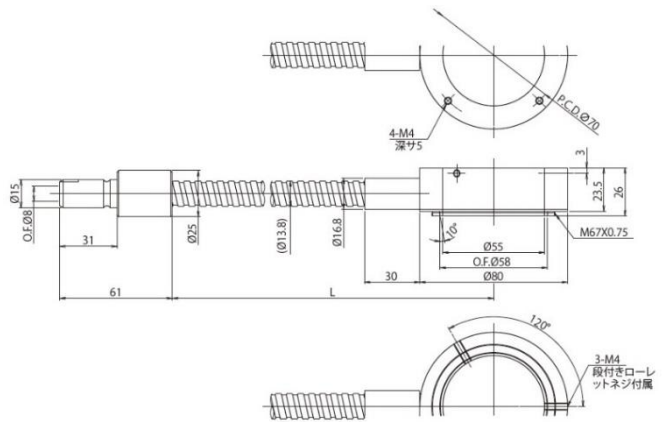
Ring Type



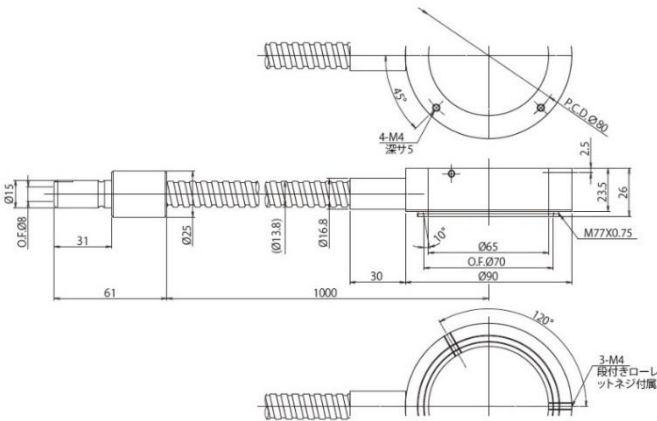
FGR6F1000D18RN (1m)



FGR6F1000D32RN (1m)
FGR6F1500D32RN (1.5m)
FGR6F2000D32RN (2m)



FGR8F1000D55RN (1m)
FGR8F2000D55RN (2m)



FGR8F1000D65RN (1m)

Caution: Repetitive bending of standard light guides may cause fiber breakage and decrease the light intensity. Please contact us in case using in the moving part .

All specifications are subject to change without prior notice. This datasheet or any extracts thereof may only be used in other publications with express permission of SCHOTT.

SCHOTT
Authorised Distributor
 Silicon Connection Pte Ltd
 Blk 7 Kallang Place
 #05-01/05/07/11/12
 Singapore 339153
 Phone: +65 81861235
 steven@si-cnx.com
www.si-cnx.com/products/lighting-imaging/

